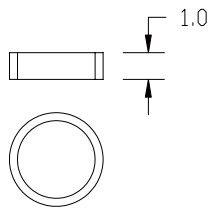
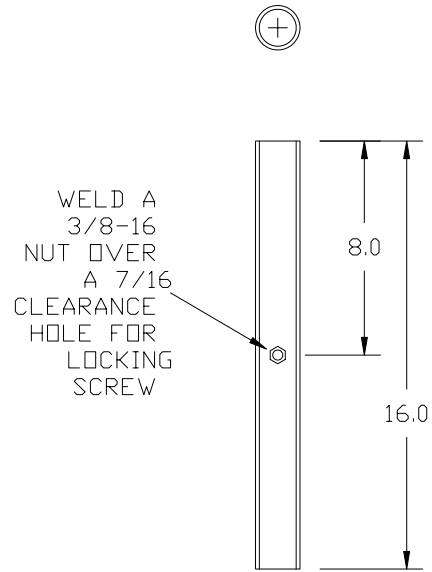


SLIDER SLEEVE

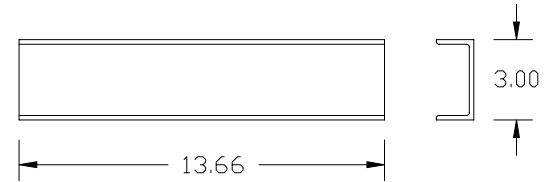
MTRL: 1 1/4" SCH 40 STEEL
BUILD: 1



3" PIPE SECTION
MTRL: 3" SCH 80 STEEL PIPE
BUILD: 2

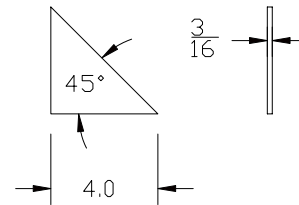
RISER CHANNEL

MTRL: ANSI C3 x 4.1 STEEL CHANNEL
(3" x 1.41" x 0.17")
BUILD: 2



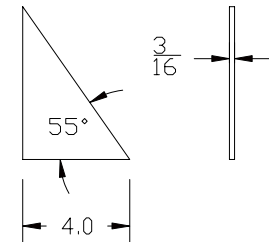
GUSSETT 1

MTRL: 3/16" STEEL PLATE
BUILD: 1



GUSSETT 2

MTRL: 3/16 STEEL PLATE
BUILD: 1



University of California
IGPP 0225
La Jolla, CA 92093



SIGN LAYOUT TOOL

Tolerances (if not shown)
x/x .x .xx .xxx angular
1/32 .1" .01" .005" 1 deg

TITLE
TOOL PARTS

Drawn By: Stephen Dockter

Date Created: 10/5/98

DRAWING NUMBER

Scale: 1:7 (8.5 x 11)

Date Modified: 10/5/98

SIGN-01-01-020