

Short Braced Monument Materials Detail

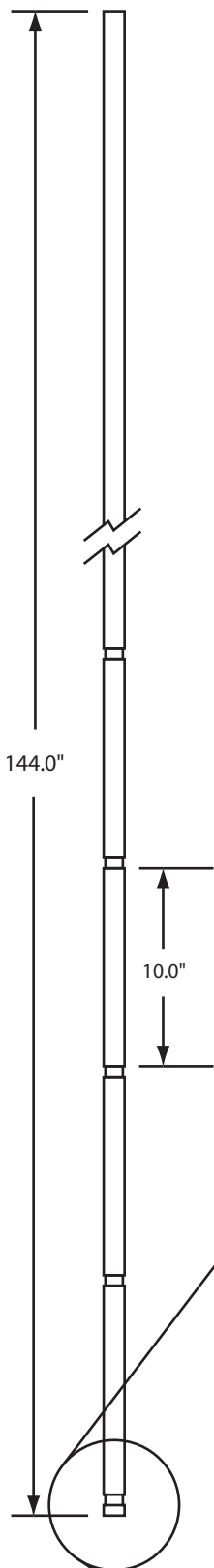
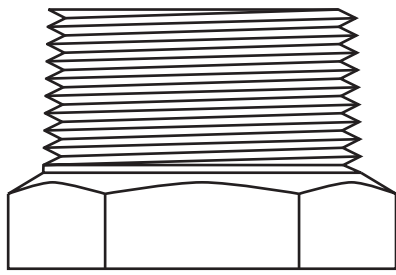
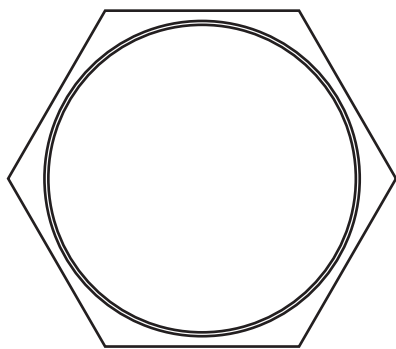
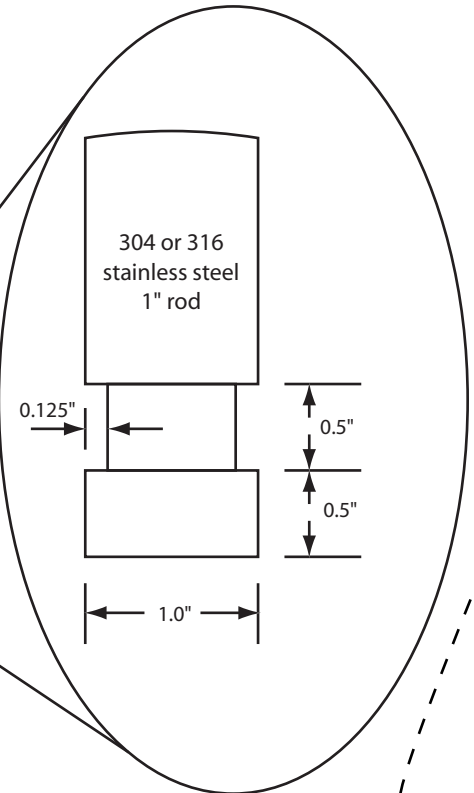
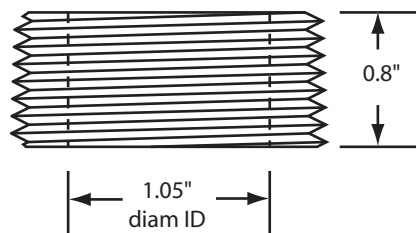
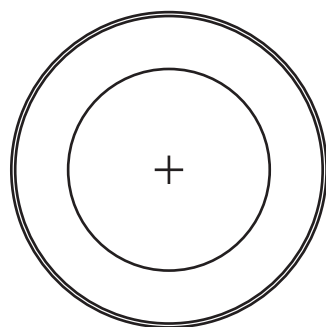


Fig.A



Type 304, 1-1/4in., Stainless Steel Hex Head Plug
McMaster-Carr P/N 4464K337
<http://www.mcmaster.com/>

Fig.B



Remove the hex head portion leaving the threads intact. Drill out the center. Weld this piece to the top of the center rod once the tripod is epoxied and welded in place. Be sure that the threads taper towards the top!

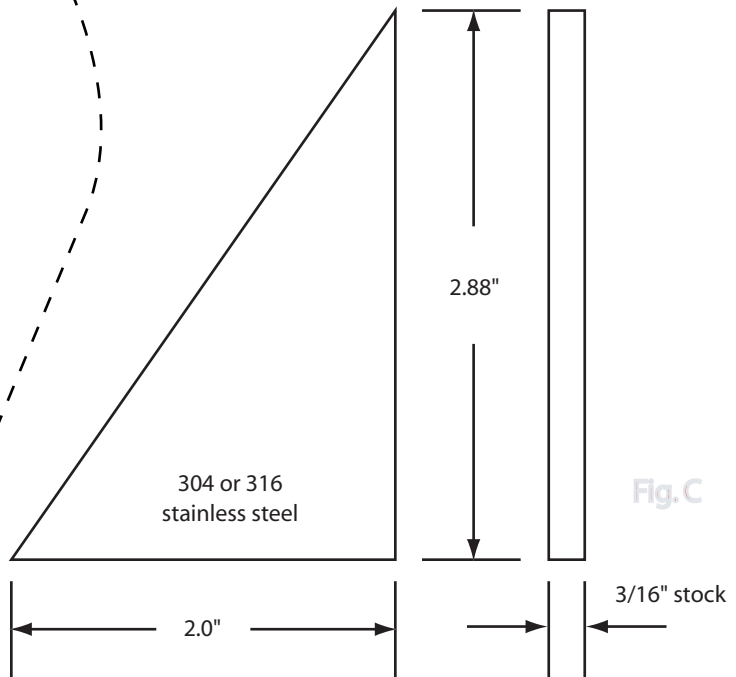


Fig.C

Note that the complete monument kit includes 4 rods (fig A), 1 threaded adapter (fig B), and 3 gussets (fig C).