

Figure 1

Side view of mast leveled and supported under tension using three primary (chain) guys. This deployment uses two tube sections (A and C). It is also possible to use three tube sections for a higher setup.

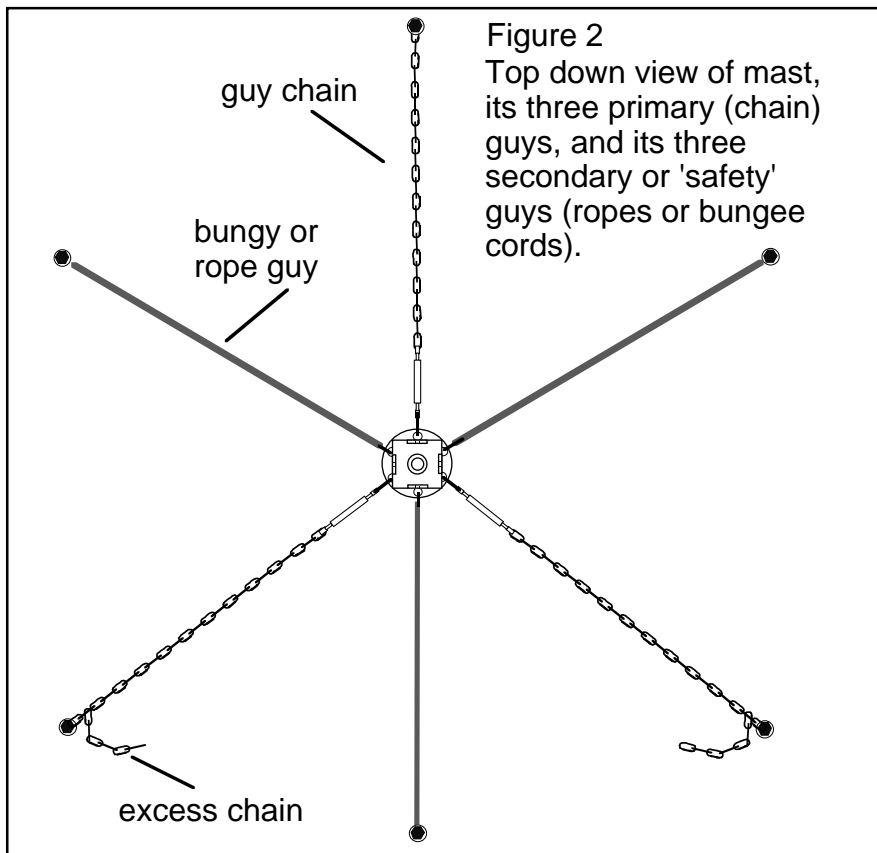


Figure 2

Top down view of mast, its three primary (chain) guys, and its three secondary or 'safety' guys (ropes or bungee cords).

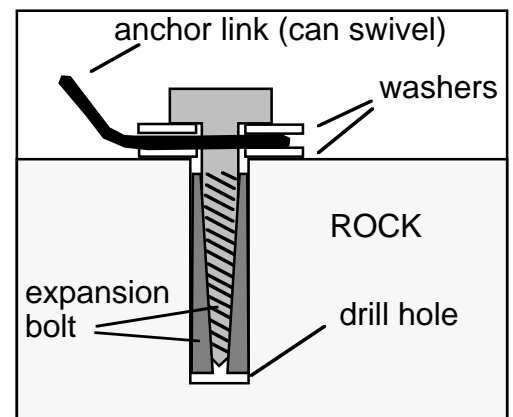


Figure 3. Anchor assembly. Drill hole is typically 4-6" deep with a diameter of 1/2", but varies according to bolt type and strength of rock. Anchor links can be made by bending a chain link with pliers. Washers should be loose enough that anchor link can swivel.

NOT TO SCALE